

Project Name: \_\_\_\_\_ AIA#: \_\_\_\_\_

Model #: \_\_\_\_\_ Location: \_\_\_\_\_

SIS#: \_\_\_\_\_ Item #: \_\_\_\_\_ Quantity: \_\_\_\_\_



**NEW!**

# Heavy-Duty Immersion Blenders

**Fast, fresh & versatile!**

*Quickly blend, pureé and emulsify anywhere in the kitchen with Globe's new Immersion Blenders!*



GIB750-14

## Models

- GIB500-12 - 500 Watt, 12" blending stick
- GIB750-14 - 750 Watt, 14" blending stick
- GIB750-16 - 750 Watt, 16" blending stick
- GIB750-18 - 750 Watt, 18" blending stick
- GIB750-22 - 750 Watt, 22" blending stick

## Standard Features

- Variable speed, heavy-duty motor for flexibility and control
- Interlocked power switch for operator protection
- Overload protection ensures longevity
- No tools required
- Stainless steel blending sticks and blades provide optimal sanitation
- Attachments are dishwasher safe for fast, easy cleanup
- 7.5' power cord for better mobility

## Warranty

- 1-year replacement

## Optional Accessories/Attachments

*(Available for GIB500 & GIB750)*

- **GIBSTK12** - 12" Blending Stick
- **GIBSTK14** - 14" Blending Stick
- **GIBSTK16** - 16" Blending Stick
- **GIBSTK18** - 18" Blending Stick
- **GIBSTK20** - 20" Blending Stick
- **GIBSTK22** - 22" Blending Stick
- **GIBWSK10** Whisk Attachment
- **GIBWM** Wall Mount

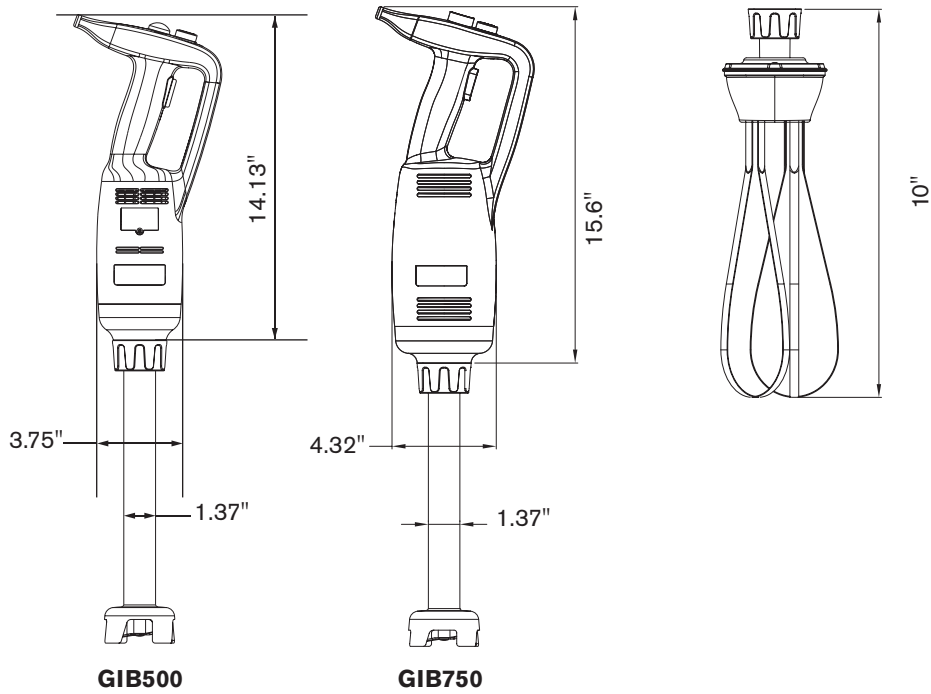
*To select options see back*



AutoQuotes

Approved by: \_\_\_\_\_ Date: \_\_\_\_\_

2153 Dryden Rd., Dayton, OH 45439 | 937-299-5493 | 800-347-5423 | Fax: 937-299-4147 | [www.globefoodequip.com](http://www.globefoodequip.com)



GIB500

GIB750

## SPECIFICATIONS

| Base Model | RPMs            | Motor  | Watts | Volts         | Amps |
|------------|-----------------|--------|-------|---------------|------|
| GIB500     | 4,000 to 16,000 | 3/4 HP | 500   | 120 V / 60 Hz | 4    |
| GIB750     | 8,000 to 20,000 | 1 HP   | 750   | 120 V / 60 Hz | 6    |

**Cord & Plug:** Attached 7.5 foot flexible 3-wire cord with molded plug fits a grounded receptacle. NEMA 5-15

## DIMENSIONS | SHIPPING INFORMATION

Item ships parcel small pack.

| Base Model | Overall Dimensions  | Net Weight             | Shipping Dimensions                                    | Shipping Weight        |
|------------|---|------------------------|--|------------------------|
| GIB500     | 3.75" W x 6.75" D x 14.75" H<br>(9.5 cm x 17.14 cm x 37.5 cm) | 4.71 lbs.<br>(2.14 kg) | 23.25" W x 11" D x 5" H<br>(59 cm x 27.9 cm x 12.7 cm) | 8.5 lbs.<br>(3.85 kg)  |
| GIB750     | 4.32" W x 7.32" D x 16" H<br>(11 cm x 18.6 cm x 40.6 cm)      | 6.5 lbs.<br>(2.94 kg)  | 23.25" W x 11" D x 5" H<br>(59 cm x 27.9 cm x 12.7 cm) | 11.5 lbs.<br>(5.21 kg) |

Globe Immersion Blenders have variable speed, heavy-duty motors with overload protection. Interlocked power switch. Stainless steel blending sticks and blades are dishwasher safe. Immersion blenders are CSA design certified, NSF compliant and ETL sanitation listed.

### OPTIONAL/ADDITIONAL ACCESSORIES (Available for GIB500 & GIB750)

- GIBSTK12 12" Blending Stick
- GIBSTK14 14" Blending Stick
- GIBSTK16 16" Blending Stick
- GIBSTK18 18" Blending Stick
- GIBSTK20 20" Blending Stick
- GIBSTK22 22" Blending Stick
- GIBWSK 10" Whisk Attachment
- GIBWM Immersion Blender Wall Mount